



EXTENDED & SHELVING

MARCH 2024



ADRIAN STEEL®

Cargo Management Solutions for Commercial Vehicles

INTEGRATED TRUCK SOLUTIONS

BUILT FOR PROFESSIONALS // DESIGNED FOR HARD WORK



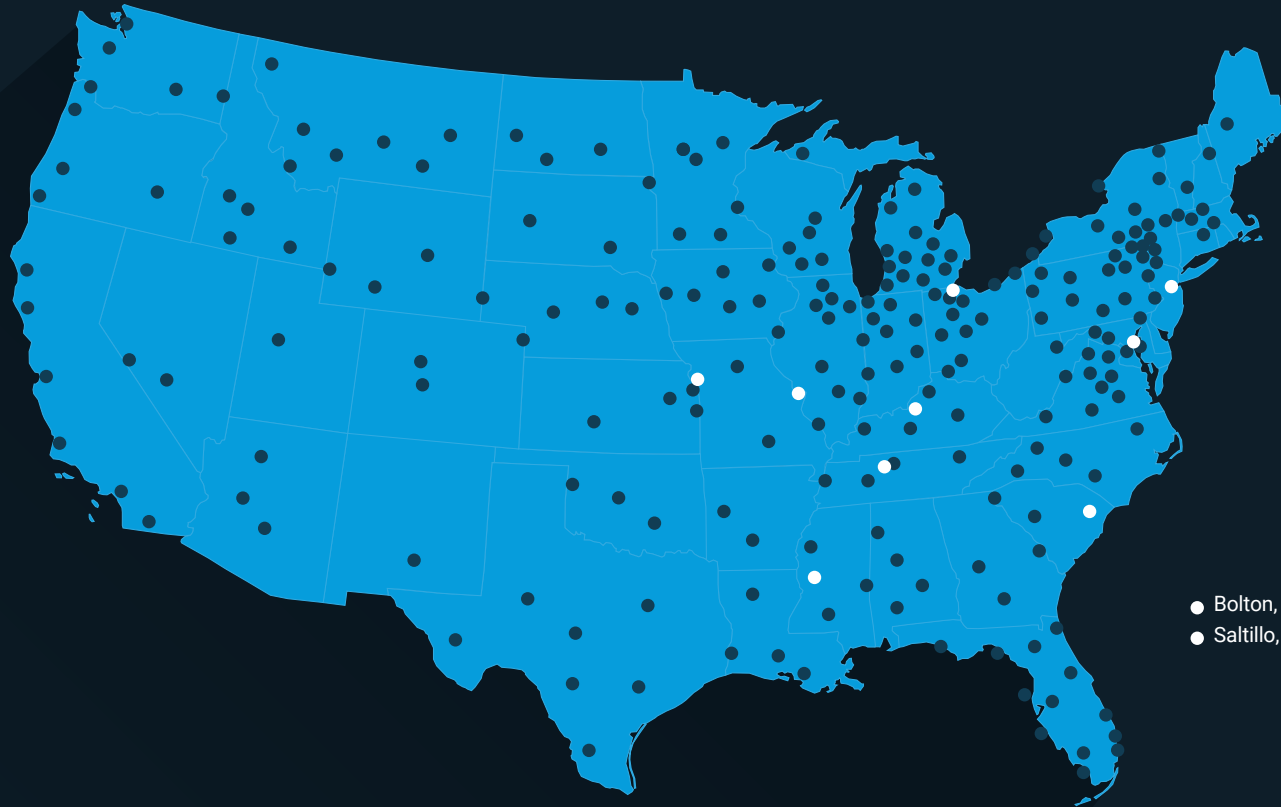
A WHOLE NEW ERA OF PICKUP TRUCK SOLUTIONS.

For years, you've known Adrian Steel as a trusted resource for upfitting your cargo vans. As the industry shifts towards pickup trucks, we're leading the charge with our integrated truck solutions while remaining committed to our industry-best lead times that Adrian Steel customers have relied on for years. Serving as a one-stop-shop for simplified ordering, our integrated truck solutions offer you the benefit of lead times that are unmatched, and **A RANGE OF TRUCK PRODUCTS DESIGNED SPECIFICALLY TO WORK TOGETHER AS MUCH AS THEY WORK FOR YOU.**

250+ DISTRIBUTORS & 11 SHIP-THRU LOCATIONS NATIONWIDE.

WE SPECIALIZE IN TAILORED UPFITTING SOLUTIONS TO SUIT A DIVERSE RANGE OF BUSINESSES AND VEHICLE PLATFORMS.

Whether you operate a single work vehicle or manage a fleet of thousands, Adrian Steel has the right solution for your business. Our distribution network supports customers in the local market and our fleet team supports customers that need work-ready vehicles delivered across the nation.



- Bolton, ON Canada
- Saltillo, Mexico

COMMERCIAL

OUR PRODUCTS ARE SHIPPED TO OUR NETWORK OF DISTRIBUTORS WHO DESIGN AND INSTALL UPFIT SOLUTIONS FOR CUSTOMERS IN THEIR LOCAL MARKETS.

TO FIND YOUR LOCAL DISTRIBUTOR, GO TO [ADRIANSTEEL.COM/DISTRIBUTORS](https://adriansteel.com/distributors)

FLEET

OUR PRODUCTS ARE DELIVERED TO OUR SHIP-THRU INSTALLATION FACILITIES THAT ARE CONVENIENTLY LOCATED NEAR THE OEM MANUFACTURING PLANTS ACROSS THE COUNTRY.

TO FIND YOUR FLEET ACCOUNT EXECUTIVE, GO TO [ADRIANSTEEL.COM/BUY/FLEETS](https://adriansteel.com/buy/fleets)

NEVER REACH INSIDE THE TRUCK BED AGAIN!

PRODUCTS THAT WORK TOGETHER
SEAMLESSLY TO BRING THE INSIDE
OF YOUR TRUCK BED, OUT.

FAST, SAFE & EASY ACCESS



QUICK ROI!

A PEST CONTROL COMPANY DETERMINED THAT
EACH VEHICLE CAN SERVICE APPROXIMATELY 20
MORE CLIENTS PER MONTH WITH EXTENDED BED.

\$80 SERVICE FEE PER CLIENT
X 20 CLIENTS PER MONTH

= \$1,600 ADDITIONAL REVENUE
PER MONTH/PER VEHICLE

\$1,600
X 12 MONTHS

= \$19,200 ADDITIONAL
REVENUE PER VEHICLE

EXTENDED BENEFITS

EXTENSION PAST TAILLIGHTS (110%)

// Complete access to your tools and consumables without reaching or leaning into the truck minimizes your risk of injury.

Increased safety = increased savings (e.g., one back injury may cost up to \$50,000 in a worker's comp claim).

// Full extension provides you with greater side access on the slide out.

Other slide outs can still be up to 8" – 12" inside the truck/van bed even at 100% extension, reducing side access.

COMMERCIAL GRADE CONSTRUCTION

// A fully welded steel frame provides for increased load capacity of 1,200 lbs.

// Ease of use with 2 3/8" high-capacity roller bearings.

// Simple 4-bolt/bracket installation

// 20 Year Warranty

INCREASED JOB SITE EFFICIENCY

// Shelving and accessories attached to the deck of the slide out are available to get work crews on/off job sites quicker.

// Organized supplies and tools means no more wasted trips back to the warehouse to get items that are on the truck/van but can't be easily found.

PART NUMBER

PRODUCT

EBL1272

Extendobed, 6.5' Beds

HDW71974

Riser Kit
for Silverado 1500 6.5' Bed
(required for proper functionality)

SLIDEOUT PLATFORM SHELVING BENEFITS

PURPOSE BUILT FOR TRUCKS

// The only shelving designed to work in the bed of the truck on a sliding platform.

// No cutting or modification required.

// Designed to be free-standing on Extendobed.

MODULAR DESIGN

// Configure the space between shelves for better customization.

TESTED TOUGHNESS

// Strength-to-weight ratio of 50lbs matches/exceeds competitors.

STREAMLINED INSTALLATION

// Fewer parts with standard fasteners.



HVAC INTEGRATED SOLUTION

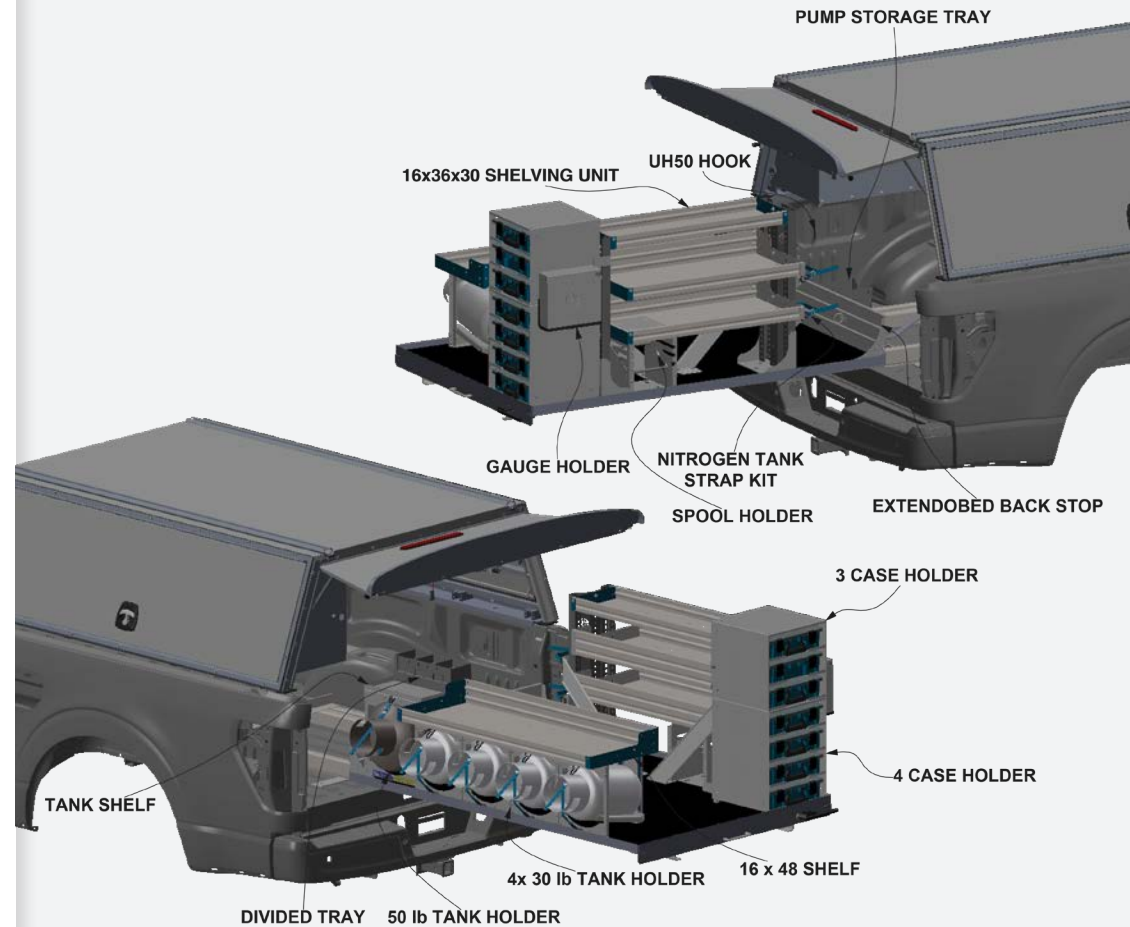
HVAC-EBP72

Available for Ford F-150 6.5' Bed & Chevy Silverado 1500 6.5' Bed

PRODUCT	PART NUMBER	QTY
50 LB TANK HOLDER	150TR	1
30 LB TANK HOLDER	130TR	4
4-CASE HOLDER W/ CASES	CHPPC4S	1
3-CASE HOLDER W/ CASES	CHPPC3S	1
TANK SHELF, 50 LB	TRSHELF50	1
SOLVENT TRAY, 14"	66206	1
VACUUM PUMP HOLDER	VPH1	1
HVAC GAUGE COVER	GC1	1
UTILITY HOOK, 5"	UH50	1
WIRE REEL HOLDER, 6"-12" REELS	WRH3	1
MOUNTING BRACKET	72665	1
3-SHELF UNIT, 36"W X 16"D X 30"H	PTSU2T163630A3	1
EXTENDEBED BACK PANEL KIT	EBLBPK4808	1
END CAP KIT	PECKT2T16A1	1
48" SHELF KIT, SINGLE	PSFK2T1648G1	1
NITROGEN TANK HOLDER	1NTR	1
MOUNTING HARDWARE, SHELVING TO EXTENDEBED	BAGEBLMNT	2
MOUNTING HARDWARE, END PANEL	BAGPEPACCMNT4	1
EXTENDEBED SPACER	03927-2	4

Package intended to be used
with Extendebed sliding platform.
Not Included in Package

EBL1272



ELECTRICAL INTEGRATED SOLUTION

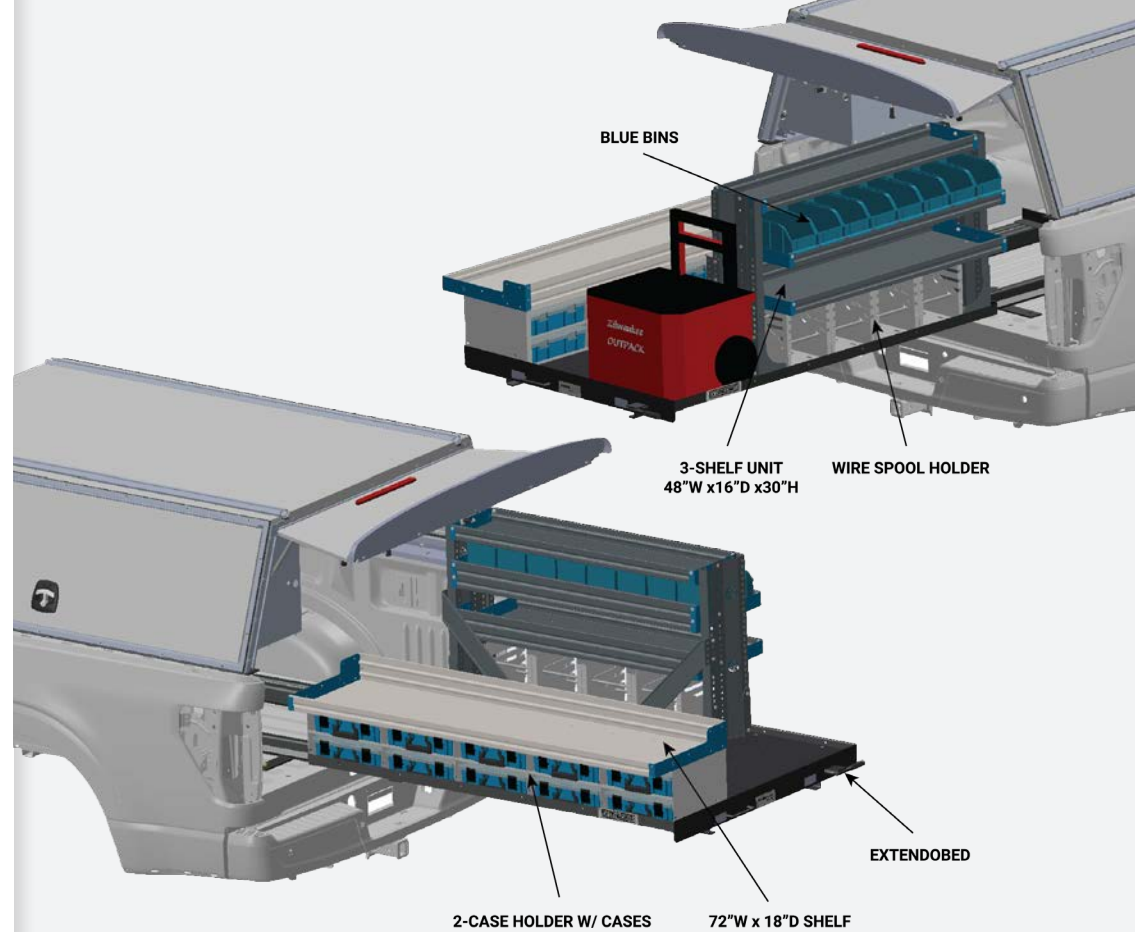
ELE-EBP72

Available for Ford F-150 6.5' Bed & Chevy Silverado 1500 6.5' Bed

PRODUCT	PART NUMBER	QTY
2-CASE HOLDER W/ CASES	CHPPC2S	5
3-SHELF UNIT, 48"W X 16"D X 30"H	PTSU2T164830A3	1
END CAP KIT	PECKT2T16A1	1
72" SHELF KIT, SINGLE	PSFK2T1672G1	1
WIRE REEL HOLDER, 6"-12" REELS	WRH3	4
6" PORTABLE BIN	SBIN060614	8
5" UTILITY HOOK	UH50	2
MOUNTING HARDWARE, SHELVING TO EXTENDEBED	BAGEBLMNT	2
MOUNTING HARDWARE, END PANEL	BAGPEPACCMNT4	1
EXTENDEBED SPACER	03927-2	20

Package intended to be used
with Extendobed sliding platform.
Not Included in Package

EBL1272



EXTENDEBED & SHELVING AVAILABLE BY APRIL 1, 2024:

// Ford F-150 6.5' Bed

// Chevrolet Silverado 1500 6.5' Bed

COMING IN 2024!

// Ram 1500/2500/3500 6.3' Bed

// F-250/F-350 6.75' Bed

// Silverado 2500/3500 6.75' Bed

// F-150/F-250/F-350 8' Bed

// Silverado 1500/2500/3500 8' Bed

// Ram 1500/2500/3500 8\"/>

// Colorado 5' Bed

// Maverick 4.5' Bed

// F-150 Lightning 5.5' Bed



**CONTACT YOUR NEAREST ADRIAN STEEL DISTRIBUTOR TO
GET YOUR INTEGRATED TRUCK SOLUTION, TODAY.**

ADRIANSTEEL.COM/DISTRIBUTORS

906 James Street
Adrian, Michigan 49221-3996

P: 517-265-6194
Toll Free 800-677-2726

info@adriansteel.com
adriansteel.com



TRUST // INNOVATION // QUALITY // DELIVERY